

PAR 38 L.E.D.

13.8 Watt

Available in Regular or High Brightness

RoHS
Compliant



Energy efficient and eco-friendly alternative with reliability, longevity and virtually maintenance free

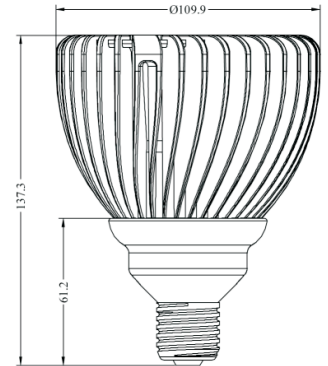
PAR 38 L.E.D. are available in Cool White, Neutral White and Warm White, they only consume 13.8 watts of power with the equivalence of a 100 watt incandescent.

A true replacement for PAR 38 incandescent.

Specifications

Average Wattage	13.8 W
Approximate Equivalence	100 Watt Incandescent
Input Voltage	100~240VAC (50~60hz)
Color Temp (ANSI)	Cool White (6500K)
	Neutral White (5000K)
	Warm White (3000K)
CRI (Color Rendering Index)	Cool White (75)
	Neutral White (77)
	Warm White (80)
Output (Lumens)	Cool White (980)
	Neutral White (932)
	Warm White (811)
Lumens/Watt	Cool White (70)
	Neutral White (67.5)
	Warm White (58.75)
Beam Angle Options	Flood (60°~90°)
	Narrow (15°~30°)
Life Span	50,000 Hours (Continuous Use)
Operating Temperature	-40°F ~ 113°F [-40°C ~ 45°C]
Ratings	Approved for indoor applications only
RoHS Compliant	Contains No Mercury or Lead
Warranty	3 Years

Note: Photometrics available upon request



- UV Free
- Low Heat
- Reduced Glare
- RoHS Compliant
- No Lead or Mercury



www.DVTGROUP.com
Toronto | Las Vegas | Shanghai

Global Headquarters
5570 Kennedy Road
Mississauga, ON L4Z 2A9
Phone: 905-238-1777
TF: 1-877-8585-DVT (388)



We Accept



Celebrating 26 Years of Innovation
in L.E.D. Technologies